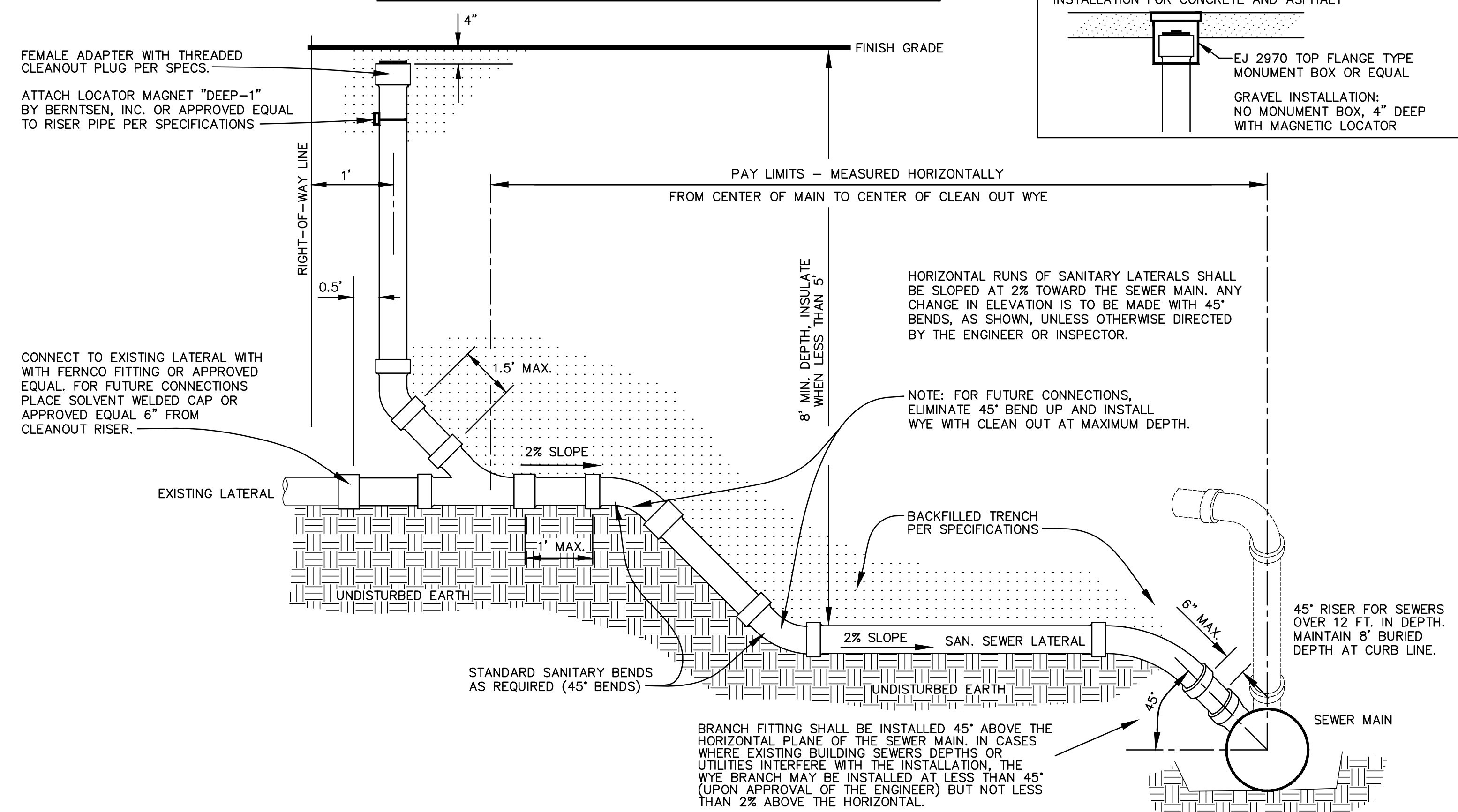
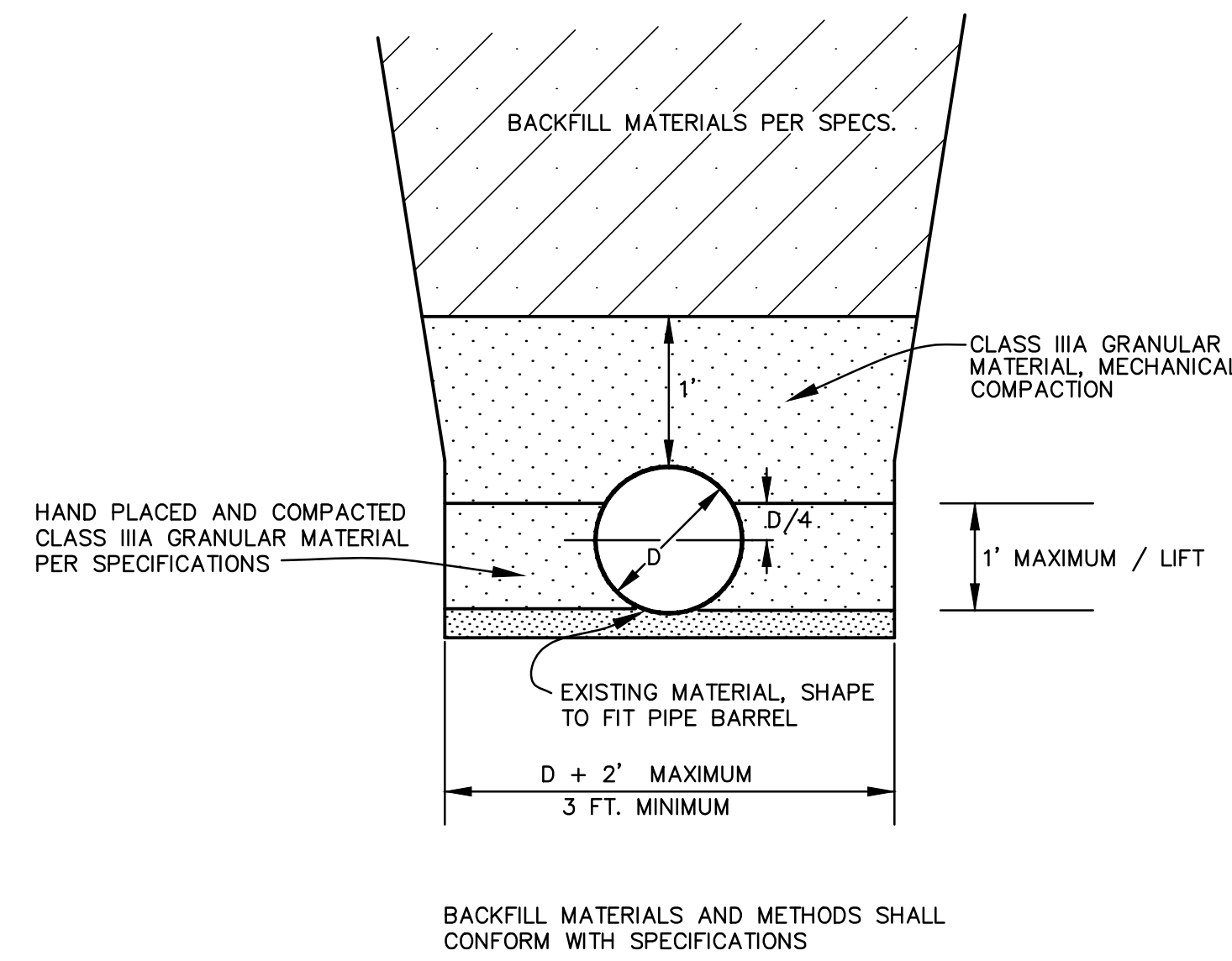


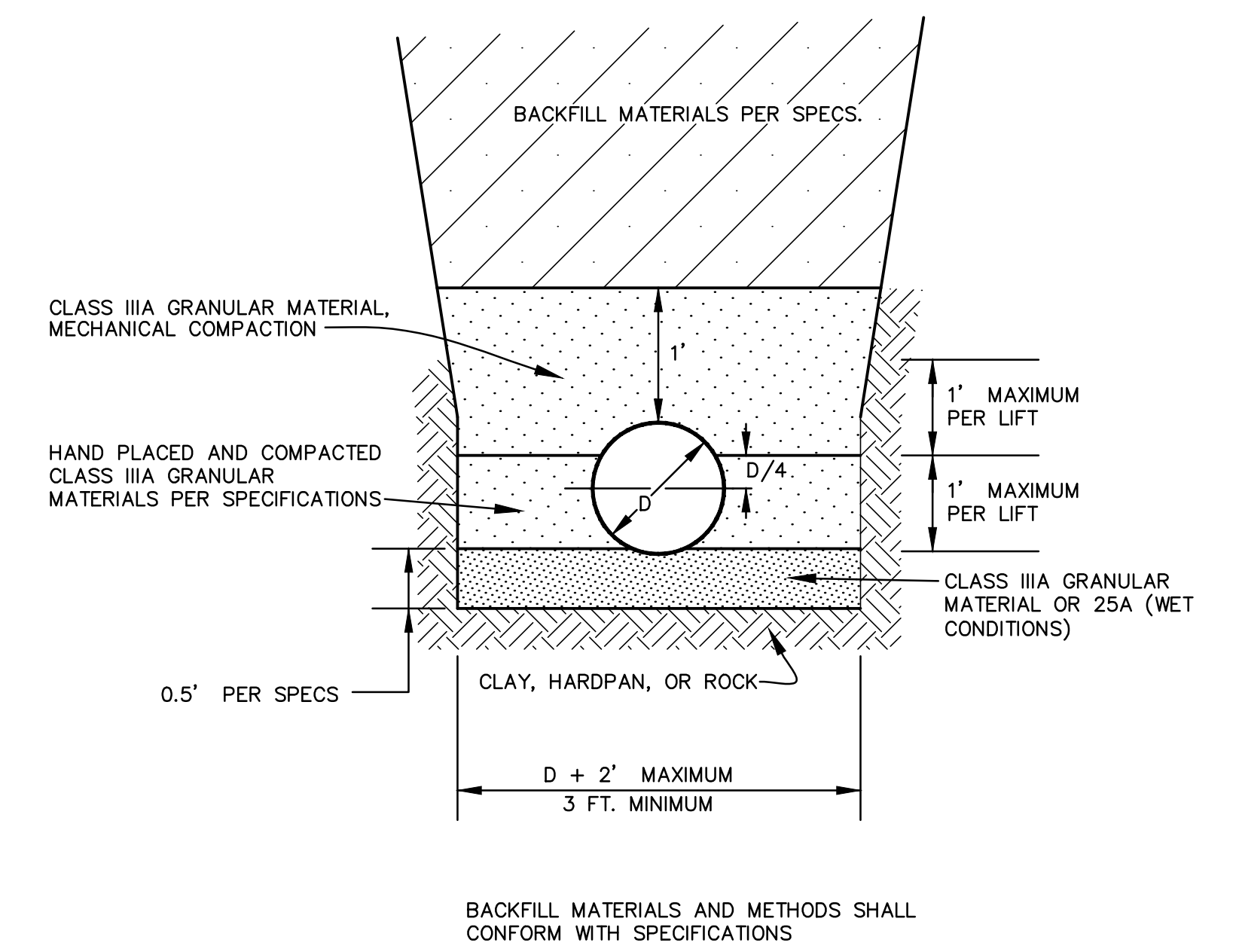
SANITARY SEWER LATERAL RISER DETAIL



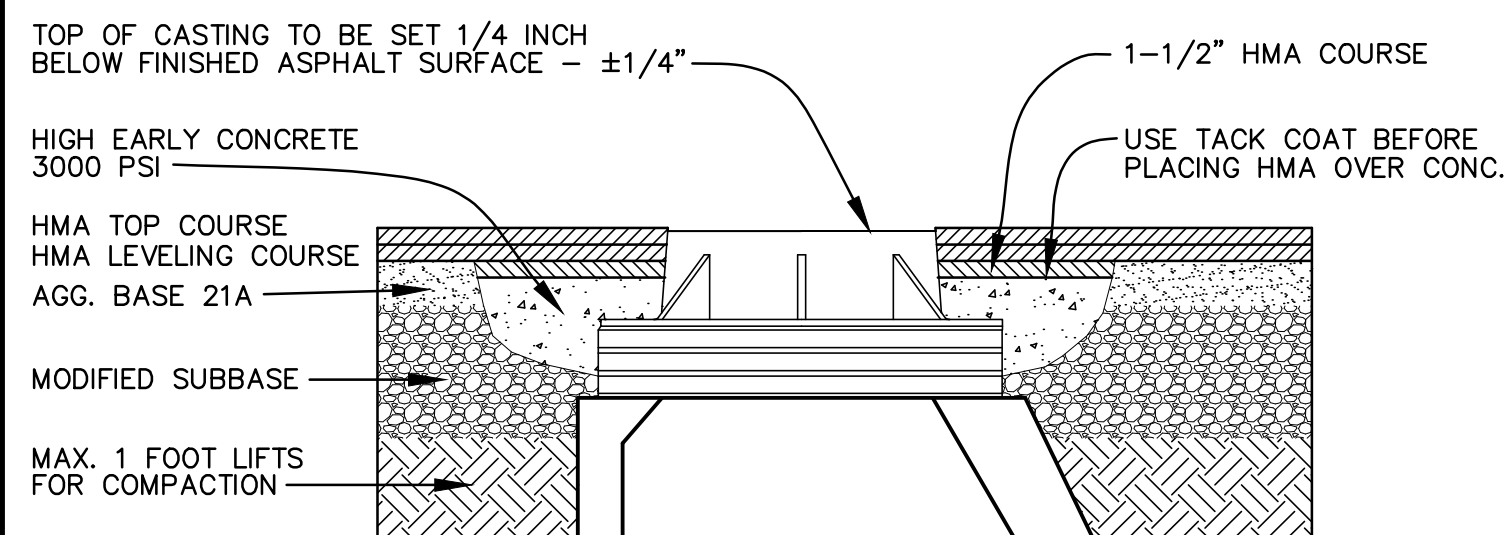
PIPE BEDDING DETAIL "G" IN SAND AND GRAVEL



PIPE BEDDING DETAIL "G" IN CLAY, HARDPAN, AND ROCK OR WHERE NATURAL MATERIAL IS UNDERCUT DURING EXCAVATION



TYPICAL MANHOLE COVER INSTALLATION

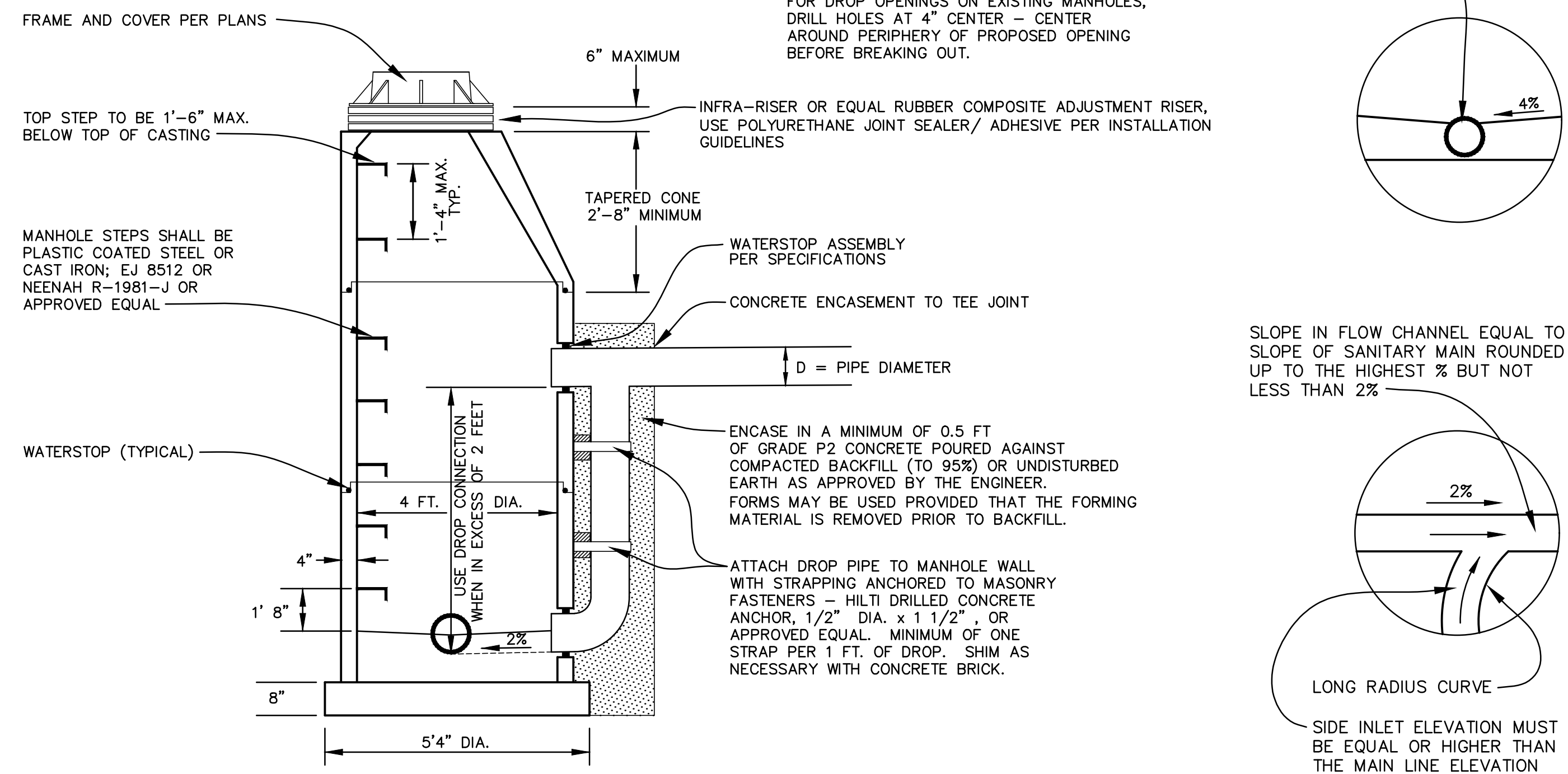


STANDARD CONCRETE DROP MANHOLE

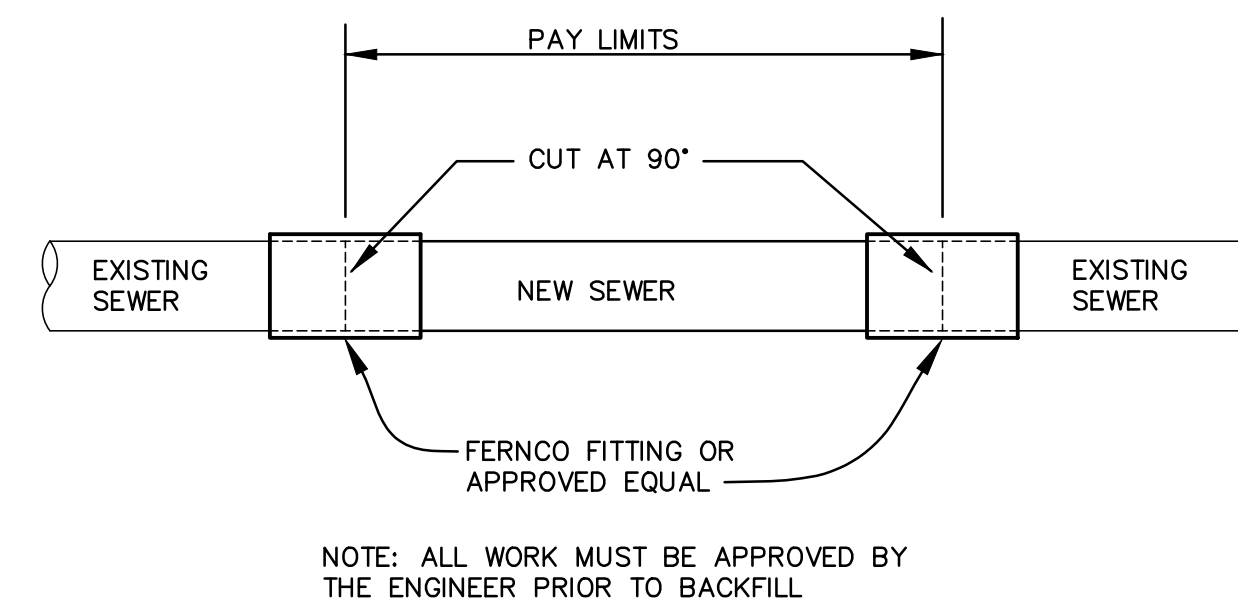
REFER TO M.D.O.T. STANDARD PLANS FOR OTHER CONFIGURATIONS

DROP PIPE DIAMETER SHALL BE THE SAME DIAMETER AS THE INCOMING PIPE, UNLESS NOTED OTHERWISE.

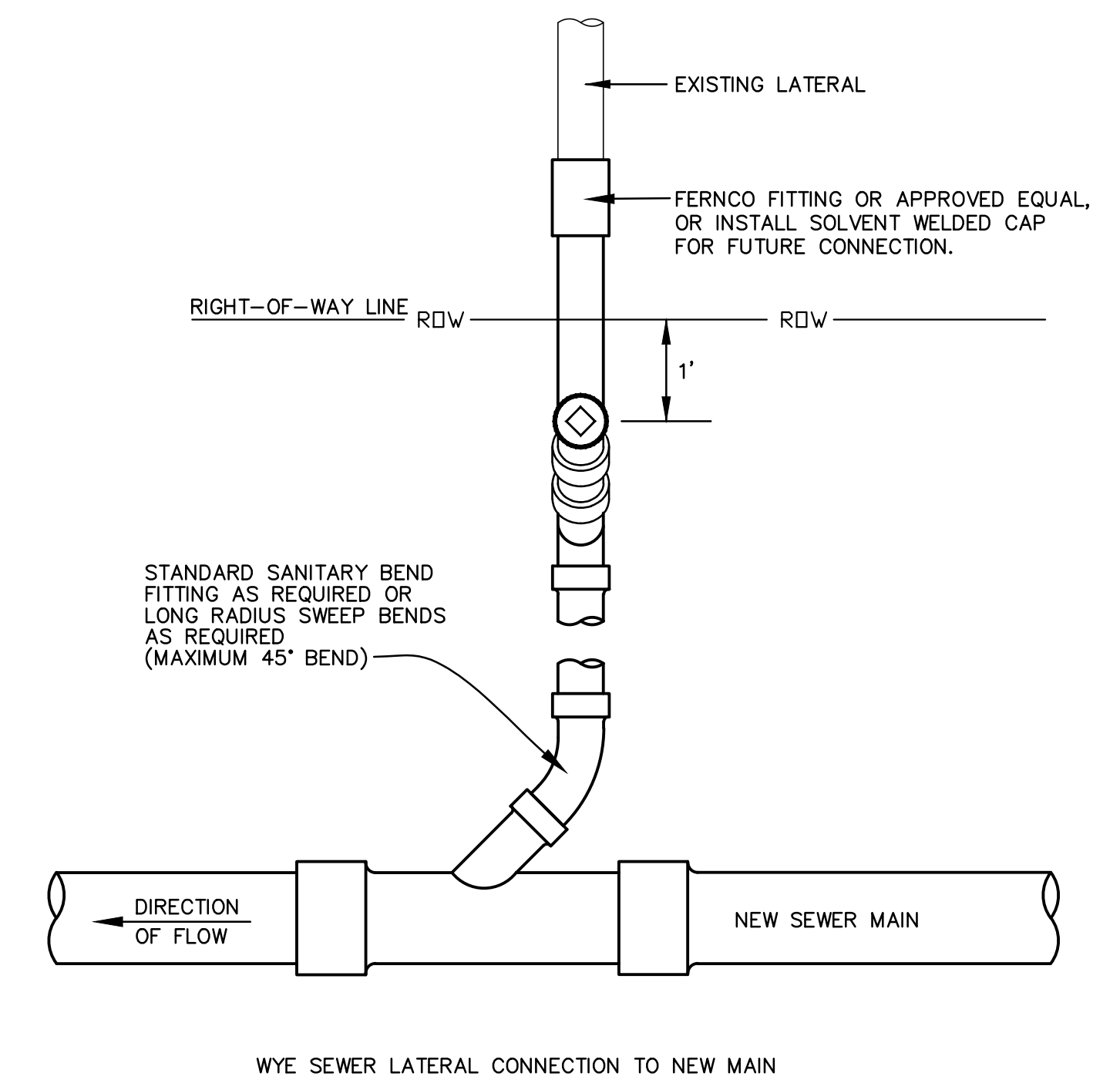
FOR DROP OPENINGS ON EXISTING MANHOLES, DRILL HOLES AT 4" CENTER - CENTER AROUND PERIPHERY OF PROPOSED OPENING BEFORE BREAKING OUT.



SANITARY SEWER LATERAL REPAIR DETAIL AND SANITARY SEWER POINT REPAIR



PLAN VIEW OF SANITARY SEWER LATERAL



Michigan's One-Call Utility Notification Organization

Three full days before you dig call the Miss Dig system 1-(800)-482-7171